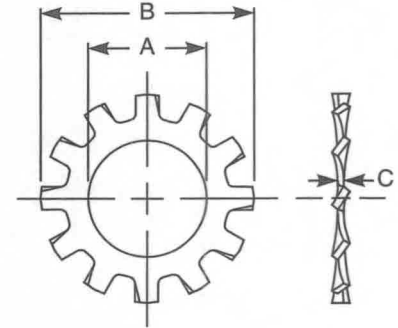


Table 8 Dimensions of External Tooth Lock Washers

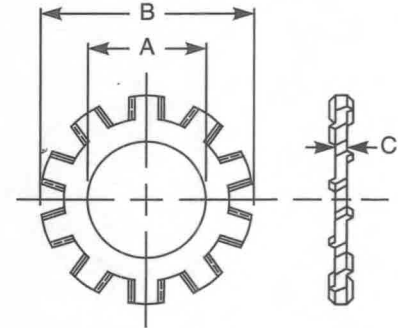
Nominal Washer Size	A		B		C		
	Inside Diameter		Outside Diameter		Thickness		
	Max	Min	Max	Min	Max	Min	
No. 3	0.099	0.109	0.102	0.235	0.220	0.016	0.010
No. 4	0.112	0.123	0.115	0.260	0.245	0.018	0.012
No. 5	0.125	0.136	0.129	0.285	0.270	0.020	0.014
No. 6	0.138	0.150	0.141	0.320	0.305	0.022	0.016
No. 8	0.164	0.176	0.168	0.381	0.365	0.023	0.018
No. 10	0.190	0.204	0.195	0.410	0.395	0.024	0.018
No. 12	0.216	0.231	0.221	0.475	0.460	0.027	0.020
1/4	0.250	0.267	0.256	0.510	0.494	0.028	0.023
5/16	0.3125	0.332	0.320	0.610	0.588	0.034	0.028
3/8	0.375	0.398	0.384	0.694	0.670	0.040	0.032
7/16	0.4375	0.464	0.448	0.760	0.740	0.040	0.032
1/2	0.500	0.530	0.513	0.900	0.880	0.045	0.037
9/16	0.5625	0.596	0.576	0.985	0.960	0.045	0.037
5/8	0.625	0.663	0.641	1.070	1.045	0.050	0.042
11/16	0.6875	0.728	0.704	1.155	1.130	0.050	0.042
3/4	0.750	0.795	0.768	1.260	1.220	0.055	0.047
13/16	0.8125	0.861	0.833	1.315	1.290	0.055	0.047
7/8	0.875	0.927	0.897	1.410	1.380	0.060	0.052
1	1.000	1.060	1.025	1.620	1.590	0.067	0.059

NOTES:

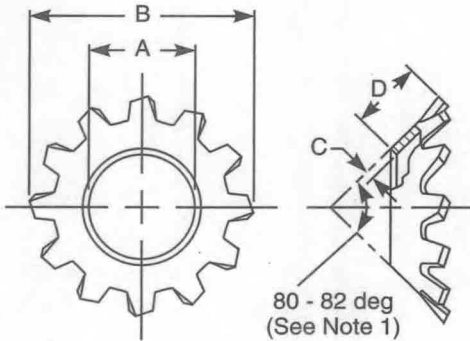
- (1) For additional requirements, refer to Introductory Notes, page L-7, and to General Data for Tooth Lock Washers, page L-14.
- (2) All dimensions are in inches.



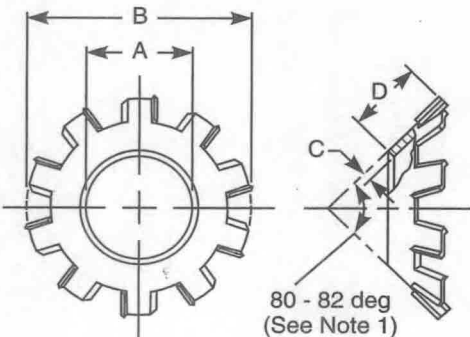
TYPE A



TYPE B



TYPE A



TYPE B

Table 9 Dimensions of Countersunk External Tooth Lock Washers

Nominal Washer Size	A		B	C		D		
	Inside Diameter		Outside Diameter	Thickness		Length		
	Max	Min	Ref	Max	Min	Max	Min	
No. 4	0.112	0.123	0.113	0.213	0.019	0.015	0.065	0.050
No. 6	0.138	0.150	0.140	0.289	0.021	0.017	0.092	0.082
No. 8	0.164	0.177	0.167	0.322	0.021	0.017	0.099	0.083
No. 10	0.190	0.205	0.195	0.354	0.025	0.020	0.105	0.088
No. 12	0.216	0.231	0.220	0.421	0.025	0.020	0.128	0.113
1/4	0.250	0.267	0.255	0.454	0.025	0.020	0.128	0.118
No. 16	0.268	0.287	0.273	0.505	0.028	0.023	0.147	0.137
5/16	0.312	0.333	0.318	0.599	0.028	0.023	0.192	0.165
3/8	0.375	0.398	0.383	0.765	0.034	0.028	0.255	0.242
7/16	0.438	0.463	0.448	0.867	0.045	0.037	0.270	0.260
1/2	0.500	0.529	0.512	0.976	0.045	0.037	0.304	0.294
See Notes 2				3				

NOTES:

- (1) Suggested angle or mating component is 80-82 deg.
For additional requirements, refer to Introductory Notes, page L-7, and to General Data for Tooth Lock Washers, page L-14.
- (2) Washer sizes are intended for use with comparable nominal screw sizes.
- (3) For reference purposes only; not subject to inspection.