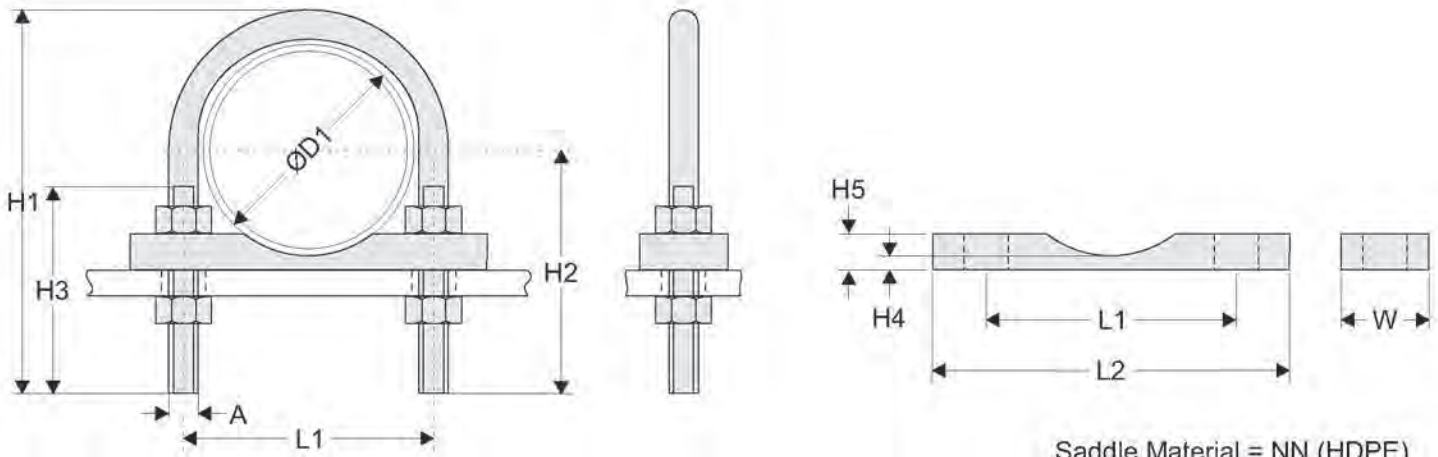


Saddle Series Pipe Clamps

Long Saddle U-Bolt Clamp



Saddle Material = NN (HDPE)
= HT (High Temp)

U-Bolt							
Nominal Pipe Size	ØD1 (pipe OD)	L1	H1	H2	H3	A (thread)	Wt. (lbs)
1/2	0.840	1.188	3.500	2.750	2.375	1/4-20 UNC	0.11
3/4	1.050	1.375	3.563	2.750	2.375	1/4-20 UNC	0.12
1	1.315	1.625	3.688	2.750	2.375	1/4-20 UNC	0.12
1 1/4	1.660	2.063	4.125	2.875	2.375	3/8-16 UNC	0.28
1 1/2	1.900	2.375	4.378	3.000	2.500	3/8-16 UNC	0.30
2	2.375	2.813	4.875	3.250	2.500	3/8-16 UNC	0.33
2 1/2	2.875	3.438	5.75	3.750	3.000	1/2-13 UNC	0.73
3	3.500	4.063	6.313	4.000	3.000	1/2-13 UNC	0.78
4	4.500	5.063	7.313	4.500	3.000	1/2-13 UNC	0.90
5	5.563	6.125	8.313	5.000	3.000	1/2-13 UNC	1.00
6	6.625	7.375	10.125	6.125	3.750	5/8-11 UNC	2.00
8	8.625	9.375	12.125	7.125	3.750	5/8-11 UNC	2.30
10	10.750	11.625	14.563	8.375	4.000	3/4-10 UNC	4.90
12	12.750	13.750	16.938	9.625	4.250	7/8-9 UNC	7.70
14	14.000	15.000	18.188	10.250	4.250	7/8-9 UNC	8.30
16	16.000	17.000	20.188	11.250	4.250	7/8-9 UNC	9.20
18	18.000	19.125	22.688	12.625	4.750	1-8 UNC	13.50
20	20.000	21.125	24.688	13.625	4.750	1-8 UNC	14.60
22	22.000	23.125	26.688	14.625	4.750	1-8 UNC	15.20
24	24.000	25.125	28.688	15.625	4.750	1-8 UNC	16.90
30	30.000	31.125	34.625	18.625	4.750	1-8 UNC	19.10

Long Saddle					
L1	L2	W	H4	H5	Wt. (lbs)
1.188	2.000	1.250	0.250	0.500	0.04
1.375	3.000	1.250	0.250	0.500	0.07
1.625	3.188	1.250	0.250	0.500	0.07
2.063	3.500	1.250	0.250	0.500	0.08
2.375	3.750	1.500	0.313	0.625	0.10
2.813	4.375	1.500	0.313	0.625	0.12
3.438	5.375	1.500	0.313	0.625	0.15
4.063	5.750	1.500	0.375	0.750	0.19
5.063	7.500	1.500	0.375	0.750	0.25
6.125	8.750	1.500	0.375	0.750	0.29
7.375	9.875	2.000	0.500	1.000	0.59
9.375	12.500	2.000	0.500	1.000	0.74
11.625	14.625	2.000	0.500	1.000	0.87
13.75	16.625	2.500	0.594	1.250	1.54
15.000	19.000	2.500	0.594	1.250	1.76
17.000	21.250	2.500	0.594	1.250	1.97
19.125	23.240	2.500	0.594	1.250	2.16
21.125	25.250	2.500	0.594	1.250	2.35
23.125	27.625	2.750	0.750	1.500	3.38
25.125	29.625	2.750	0.750	1.500	3.62
31.125	36.000	2.750	0.750	1.500	4.40

Assembly Ordering

LSUBZ-12750-NN

- Saddle Material**
NN = HDPE
HT = High Temp
- Pipe Diameter**
Enter ØD1 value from above, excluding decimal
- Material of U-Bolt**
Z Zinc Plated
T 304 Stainless Steel
X 316 Stainless Steel

U-Bolt Ordering

UBZ-12750

- Pipe Diameter**
Enter ØD1 value from above, excluding decimal
- Material of U-Bolt**
Z Zinc Plated
T 304 Stainless Steel
X 316 Stainless Steel

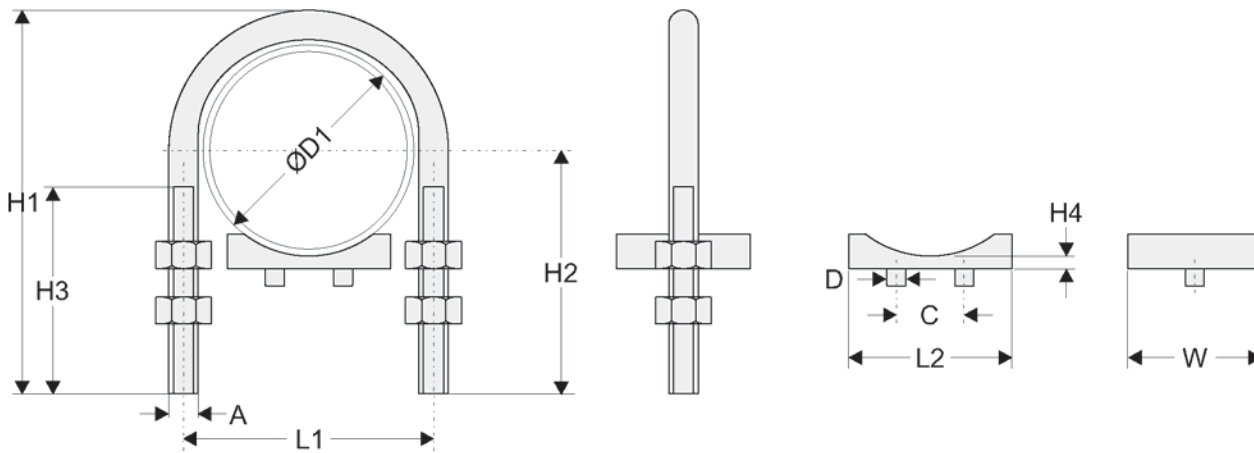
Saddle Ordering

LS-12750-NN

- Saddle Material**
NN = HDPE
HT = High Temp
- Pipe Diameter**
Enter ØD1 value from above, excluding decimal

Saddle Series Pipe Clamps

Short Saddle U-Bolt Clamp



Saddle Material = PP (Polypropylene)

U-Bolt							
Nominal Pipe Size	ØD1 (pipe OD)	L1	H1	H2	H3	A (thread)	Wt. (lbs)
1 1/4	1.660	2.063	4.125	2.875	2.375	3/8-16 UNC	0.28
1 1/2	1.900	2.375	4.378	3.000	2.500	3/8-16 UNC	0.30
2	2.375	2.813	4.875	3.250	2.500	3/8-16 UNC	0.33
3	3.500	4.063	6.313	4.000	3.000	1/2-13 UNC	0.78
4	4.500	5.063	7.313	4.500	3.000	1/2-13 UNC	0.90
6	6.625	7.375	10.125	6.125	3.750	5/8-11 UNC	2.00
8	8.625	9.375	12.125	7.125	3.750	5/8-11 UNC	2.30
10	10.750	11.625	14.563	8.375	4.000	3/4-10 UNC	4.90
12	12.750	13.750	16.938	9.625	4.250	7/8-9 UNC	7.70
14	14.000	15.000	18.188	10.250	4.250	7/8-9 UNC	8.30
16	16.000	17.000	20.188	11.250	4.250	7/8-9 UNC	9.20
18	18.000	19.125	22.688	12.625	4.750	1-8 UNC	13.50
20	20.000	21.125	24.688	13.625	4.750	1-8 UNC	14.60
24	24.000	25.125	28.688	15.625	4.750	1-8 UNC	16.90
30	30.000	31.125	34.625	18.625	4.750	1-8 UNC	19.10

Short Saddle				
L2	C	D	H4	W
1.500	1.000	0.313	0.250	1.000
1.500	1.000	0.313	0.250	1.000
1.500	1.000	0.313	0.250	1.000
3.000	1.563	0.563	0.313	2.000
3.000	1.563	0.563	0.313	2.000
5.500	3.500	1.000	0.375	3.000
5.500	3.500	1.000	0.375	3.000
5.500	3.500	1.000	0.375	3.000
8.500	5.875	1.125	0.375	3.000
8.500	5.875	1.125	0.375	3.000
8.500	5.875	1.125	0.375	3.000
8.500	5.875	1.125	0.375	3.000
14.000	10.500	1.125	0.500	4.000
14.000	10.500	1.125	0.500	4.000
14.000	10.500	1.125	0.500	4.000

www.behringersystems.com

Assembly Ordering

SSUBZ-12750-PP

Pipe Diameter
Enter ØD1 value from above, excluding decimal

Material of U-Bolt
Z Zinc Plated
T 304 Stainless Steel
X 316 Stainless Steel

U-Bolt Ordering

UBZ-12750

Pipe Diameter
Enter ØD1 value from above, excluding decimal

Material of U-Bolt
Z Zinc Plated
T 304 Stainless Steel
X 316 Stainless Steel

Saddle Ordering

SS-12750-PP

Saddle Material
PP Polypropylene

Pipe Diameter
Enter ØD1 value from above, excluding decimal

Material Properties Technical Data

Clamp Pair Material Other materials have been used and are available upon request.	PP	SP	AL	NN
	Polypropylene	Santoprene	Aluminum	HDPE
Color	Black	Tan	Natural Aluminum	White
Description	Thermoplastic Copolymer	Thermoplastic Elastomer	AlSi12	High Density Polyethylene
Mechanical Properties				
Tensile Strength	3300 psi (at yield, 73 ° F) (ASTM D638)	1740 psi (at yield, 73 ° F) (ASTM D638)	19,000 psi (at yield, 73 ° F) (ASTM D638)	4500 psi (at yield, 73 ° F) (ASTM D638)
Tensile Elongation	6.6% (at yield, 73 ° F) (ASTM D638)	31% (at yield, 73 ° F) (ASTM D638)	3.5% (at yield, 73 ° F) (ASTM D638)	
Hardness		50 Shore D (ASTM D2240)		65 R (Rockwell "R" Scale)
Thermal Properties				
Temperature Range (Brief Exposure)	-22° F to + 215° F (-30° C to + 102° C)	-40° F to + 302° F (-40° C to + 150° C)	-65° F to + 750° F*1 (-54° C to + 399° C)	
Temperature Range (Continuous Exposure)	-22° F to + 194° F (-30° C to + 90° C)	-40° F to + 275° F (-40° C to + 135° C)	-65° F to + 500° F*1 (-54° C to + 260° C)	-58° F to + 175° F (-50° C to + 79° C)
Electrical Properties				
Dielectric Strength	475 V/mil (ASTM D149)	920 V/mil (ASTM D149)		510 V/mil (ASTM D149)
Dielectric Constant	2.26 - 2.36 (ASTM D150)	2.300 (ASTM D150)		2.35 (ASTM D150)
Volume Resistivity	> 2 x 10 ¹⁶ ohm-cm (ASTM D257)	>1 x 10 ¹⁴ ohm-cm (ASTM D257)	4.4 x 10 ⁶ ohm-cm (ASTM D257)	>6 x 10 ¹⁵ ohm-cm (ASTM D257)
Standards and Specifications				
	FDA Regulation Title 21 CFR 177.1520	UL Listed File# QMFZ2.E80017		FDA Regulation Title 21 CFR 177.1520
	Meets Multiple Automotive Industry Specifications	Meets Multiple Automotive Industry Specifications		ASTM D 1248-84 Type III, Class A
	EU Directive 2002/95/EC (RoHS) Compliant	EU Directive 2002/95/EC (RoHS) Compliant		Federal Specification LP-390 Type III, Class H, Grade I

Special Notes

Notes: *1: Tensile and fatigue strength rise as temperature decreases. The tensile elongation decreases as the temperature decreases.

The information contained in this document is provided as an aid in properly selecting products and/or options. It is intended to be used by technically experienced users for general reference only. The supplier assumes no responsibility or liability for the accuracy or completeness of this document, as well as results obtained by the use of this information. Due to the variety of possible operating conditions, it is highly recommended that the user make their own tests to determine the safety and suitability of all products and combinations thereof. The user is solely responsible for final determination of such conditions.