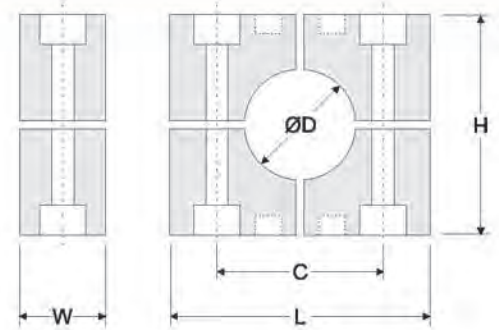


# Heavy-4 Series Pipe Clamps

Behringer's patented Heavy-4 Series pipe clamps accommodate pipe sizes from 8 through 30 inch. They feature a unique four-segmented plastic design which retains dimensional accuracy, absorbs vibration, resists stress and impact, and accomplishes a strong plastic-to-steel interface, strongly securing the largest pipes with ease. Substantial metal plates and bolts complement this heavyweight of the pipe clamp world.



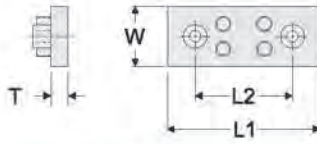
Clamp Pair Material Codes (*)			
<b>P</b>	[PP] Polypropylene Black Color	<b>S</b>	[SP] Santoprene Beige Color
		<b>A</b>	[AL] Aluminum Aluminum Color
***Please Note: For aluminum material, the clamp design will incorporate 2 halves, rather than a 4-segment design. For Santoprene material, minimum quantities may apply.			

Clamp Pair Dimensional Information									
Group	Size	Metric ØD (mm)	Imperial ØD (Inch)	L	C	H	W	Weight	Clamp Halves (See material code for *)
H11	8 Pipe	219.0	8.625	18.250 in. (464 mm)	15.688 in. (398 mm)	16.000 in. (406 mm)	5.625 in. (143 mm)	24 lbs.	H4-CLH-11-*-08P
	10 Pipe	273.0	10.750						H4-CLH-11-*-10P
	12 Pipe	324.0	12.750						H4-CLH-11-*-12P
H12	14 Pipe	356.0	14.000	23.500 in. (597 mm)	20.875 in. (530 mm)	20.00 in. (508 mm)	5.625 in. (143 mm)	32 lbs.	H4-CLH-12-*-14P
	16 Pipe	406.0	16.000						H4-CLH-12-*-16P
H13	18 Pipe	457.0	18.000	24.750 in. (629 mm)	22.250 in. (565 mm)	22.000 in. (559 mm)	5.625 in. (143 mm)	22 lbs.	H4-CLH-13-*-18P
H14	20 Pipe	508.0	20.000	28.750 in. (730 mm)	26.250 in. (667 mm)	22.00 in. (559 mm)	5.625 in. (143 mm)	26 lbs.	H4-CLH-14-*-20P
	24 Pipe	610.0	24.000						27.50 in. (699 mm)
H15	30 Pipe	762.0	30.000	34.750 in. (883 mm)	32.250 in. (819 mm)	32.000 in. (813 mm)	5.625 in. (143 mm)	30 lbs.	H4-CLH-15-*-30P

\*\*\* 20" Pipe uses Group H13 Hex Bolts \*\*\*

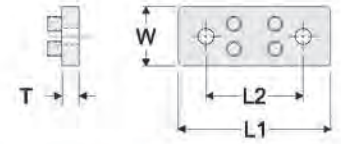
# Heavy-4 Series Pipe Clamps

## Securing Plate Selection and Dimensions



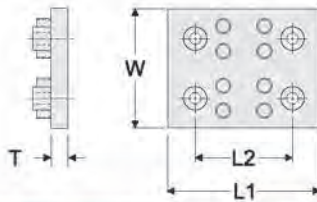
Single Weld Plate [SWP]						
Grp. Order Number	L1	L2	W	T	Thread	Weight Ea.
H11 H4-SWP-11- <sup>a</sup>	20.000 in. (508 mm)	15.688 in. (398 mm)	5.875 in. (149 mm)	1.000 in. (25.4 mm)	1 1/4 - 7 UNC	34 lbs
H12 H4-SWP-12- <sup>a</sup>	25.500 in. (648 mm)	20.875 in. (530 mm)	5.875 in. (149 mm)	1.000 in. (25.4 mm)	1 1/4 - 7 UNC	43 lbs
H13 H4-SWP-13- <sup>a</sup>	27.000 in. (686 mm)	22.250 in. (565 mm)	5.875 in. (149 mm)	1.000 in. (25.4 mm)	1 1/4 - 7 UNC	46 lbs
H14 H4-SWP-14- <sup>a</sup>	30.500 in. (775 mm)	26.250 in. (667 mm)	5.875 in. (149 mm)	1.000 in. (25.4 mm)	1 1/4 - 7 UNC	52 lbs
H15 H4-SWP-15- <sup>a</sup>	36.500 in. (927 mm)	32.250 in. (819 mm)	5.875 in. (149 mm)	1.000 in. (25.4 mm)	1 1/4 - 7 UNC	62 lbs

**\*Materials:** C Unplated Carbon Steel (Standard Material)  
 T AISI 304 Grade Stainless Steel (A2 - 1.4301/1.4305)  
 X AISI 316 Grade Stainless Steel (A4 - 1.4401/1.4571)  
 Z Zinc Plated Steel (Special Order)



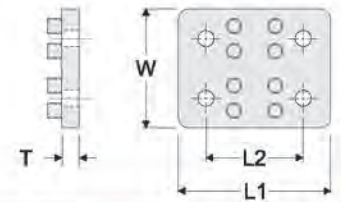
Single Cover Plate [SCP]						
Grp. Order Number	L1	L2	W	T	Thread	Weight Ea.
H11 H4-SCP-11- <sup>a</sup>	18.250 in. (464 mm)	15.688 in. (398 mm)	5.875 in. (149 mm)	1.000 in. (25.4 mm)		28 lbs
H12 H4-SCP-12- <sup>a</sup>	23.500 in. (597 mm)	20.875 in. (530 mm)	5.875 in. (149 mm)	1.000 in. (25.4 mm)		37 lbs
H13 H4-SCP-13- <sup>a</sup>	25.000 in. (635 mm)	22.250 in. (565 mm)	5.875 in. (149 mm)	1.000 in. (25.4 mm)		40 lbs
H14 H4-SCP-14- <sup>a</sup>	29.000 in. (737 mm)	26.250 in. (667 mm)	5.875 in. (149 mm)	1.000 in. (25.4 mm)		45 lbs
H15 H4-SCP-15- <sup>a</sup>	35.000 in. (889 mm)	32.250 in. (819 mm)	5.875 in. (149 mm)	1.000 in. (25.4 mm)		55 lbs

**\*Materials:** C Unplated Carbon Steel (Standard Material)  
 T AISI 304 Grade Stainless Steel (A2 - 1.4301/1.4305)  
 X AISI 316 Grade Stainless Steel (A4 - 1.4401/1.4571)  
 Z Zinc Plated Steel (Special Order)



Double Weld Plate [DWP]						
Grp. Order Number	L1	L2	W	T	Thread	Weight Ea.
H11 H4-DWP-11- <sup>a</sup>	20.000 in. (508 mm)	15.688 in. (398 mm)	11.750 in. (298 mm)	1.000 in. (25.4 mm)	1 1/4 - 7 UNC	71 lbs
H12 H4-DWP-12- <sup>a</sup>	25.500 in. (648 mm)	20.875 in. (530 mm)	11.750 in. (298 mm)	1.000 in. (25.4 mm)	1 1/4 - 7 UNC	88 lbs
H13 H4-DWP-13- <sup>a</sup>	27.000 in. (686 mm)	22.250 in. (565 mm)	11.750 in. (298 mm)	1.000 in. (25.4 mm)	1 1/4 - 7 UNC	93 lbs
H14 H4-DWP-14- <sup>a</sup>	30.500 in. (775 mm)	26.250 in. (667 mm)	11.750 in. (298 mm)	1.000 in. (25.4 mm)	1 1/4 - 7 UNC	106 lbs
H15 H4-DWP-15- <sup>a</sup>	36.500 in. (927 mm)	32.250 in. (819 mm)	11.750 in. (298 mm)	1.000 in. (25.4 mm)	1 1/4 - 7 UNC	127 lbs

**\*Materials:** C Unplated Carbon Steel (Standard Material)  
 T AISI 304 Grade Stainless Steel (A2 - 1.4301/1.4305)  
 X AISI 316 Grade Stainless Steel (A4 - 1.4401/1.4571)  
 Z Zinc Plated Steel (Special Order)



Double Cover Plate [DCP]						
Grp. Order Number	L1	L2	W	T	Thread	Weight Ea.
H11 H4-DCP-11- <sup>a</sup>	18.250 in. (464 mm)	15.688 in. (398 mm)	11.750 in. (298 mm)	1.000 in. (25.4 mm)		60 lbs
H12 H4-DCP-12- <sup>a</sup>	23.500 in. (597 mm)	20.875 in. (530 mm)	11.750 in. (298 mm)	1.000 in. (25.4 mm)		77 lbs
H13 H4-DCP-13- <sup>a</sup>	25.000 in. (635 mm)	22.250 in. (565 mm)	11.750 in. (298 mm)	1.000 in. (25.4 mm)		82 lbs
H14 H4-DCP-14- <sup>a</sup>	29.000 in. (737 mm)	26.250 in. (667 mm)	11.750 in. (298 mm)	1.000 in. (25.4 mm)		96 lbs
H15 H4-DCP-15- <sup>a</sup>	35.000 in. (889 mm)	32.250 in. (819 mm)	11.750 in. (298 mm)	1.000 in. (25.4 mm)		115 lbs

**\*Materials:** C Unplated Carbon Steel (Standard Material)  
 T AISI 304 Grade Stainless Steel (A2 - 1.4301/1.4305)  
 X AISI 316 Grade Stainless Steel (A4 - 1.4401/1.4571)  
 Z Zinc Plated Steel (Special Order)



Hexagon Head Bolt [HEX]			
Grp. Order Number	L	UNC Thread	Weight Ea.
H11 H4-HEX-11- <sup>a</sup>	17.500 in. (445 mm)	1 1/4 - 7 UNC	7.25 lbs.
H12 H4-HEX-12- <sup>a</sup>	21.500 in. (546 mm)	1 1/4 - 7 UNC	8.75 lbs.
H13 H4-HEX-13- <sup>a</sup>	24.000 in. (610 mm)	1 1/4 - 7 UNC	9.85 lbs.
H14 H4-HEX-14- <sup>a</sup>	27.500 in. (699 mm)	1 1/4 - 7 UNC	10.65 lbs.
H15 H4-HEX-15- <sup>a</sup>	33.500 in. (851 mm)	1 1/4 - 7 UNC	11.85 lbs.

**\*Materials:** C Unplated Carbon Steel (Standard Material)  
 T AISI 304 Grade Stainless Steel (A2 - 1.4301/1.4305)  
 X AISI 316 Grade Stainless Steel (A4 - 1.4401/1.4571)  
 Z Zinc Plated Steel (Special Order)

# Heavy-4 Series Pipe Clamps

## Complete Assembly Ordering Code

chart 1 chart 2 chart 3 chart 4 chart 5  
**SH T 11275-PP-MET**

Clamp Configuration <span style="float: right;">chart 1</span>	
SH	Single Heavy Complete Clamp for Weld Mounting
DH	Double Heavy Complete Clamp for Weld Mounting

Clamp Pair Material <span style="float: right;">chart 4</span>	
PP	Polypropylene
SP	Santoprene
AL	Aluminum
*For Aluminum, clamps are supplied in 2 halves rather than 4 quadrants. Some other dimensions will vary as well.	

Hardware Material <span style="float: right;">chart 2</span>	
Omit	Untreated Carbon Steel
T	AISI 304 Stainless Steel (A2 - 1.4301/1.4305)
X	AISI 316/316Ti Stainless Steel (A4 - 1.4401/1.4571)
Z	Electro-Zinc Dichromate Plating


Threads <span style="float: right;">chart 5</span>	
Omit	UNC Thread (Standard)
MET	Metric Thread

Clamp Group and Size <span style="float: right;">chart 3</span>				
Group	Pipe Size	Metric ØD (mm)	Imperial ØD (Inch)	Order No.
H11	8	219.0	8.625	11862
	10	273.0	10.750	11075
	12	324.0	12.750	11275
H12	14	356.0	14.000	12140
	16	406.0	16.000	12160
H13	18	457.0	18.000	13180
H14	20	508.0	20.000	14200
	24	610.0	24.000	14240
H15	30	762.0	30.000	15300

## Ordering Examples

**Single Heavy for Weld Mounting**


**SH**



**Consists of:**  
 2 HEX bolts  
 1 SCP Single Cover Plate  
 1 CLH Clamp Set (4 quarters)  
 1 SWP Single Weld Plate

**Double Heavy for Weld Mounting**

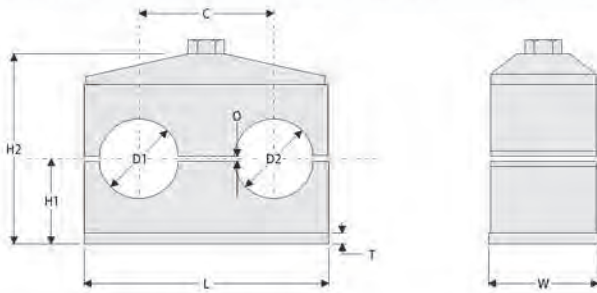
**DH**



**Consists of:**  
 4 HEX bolts  
 1 DCP Double Cover Plate  
 2 CLH Clamp Sets (8 quarters)  
 1 DWP Double Weld Plate

Material Properties Technical Data				
Clamp Pair Material Other materials have been used and are available upon request.	PP	SP	AL	NN
	Polypropylene	Santoprene	Aluminum	HDPE
Color	Black	Tan	Natural Aluminum	White
Description	Thermoplastic Copolymer	Thermoplastic Elastomer	AlSi12	High Density Polyethylene
Mechanical Properties				
Tensile Strength	3300 psi (at yield, 73 ° F) (ASTM D638)	1740 psi (at yield, 73 ° F) (ASTM D638)	19,000 psi (at yield, 73 ° F) (ASTM D638)	4500 psi (at yield, 73 ° F) (ASTM D638)
Tensile Elongation	6.6% (at yield, 73 ° F) (ASTM D638)	31% (at yield, 73 ° F) (ASTM D638)	3.5% (at yield, 73 ° F) (ASTM D638)	
Hardness		50 Shore D (ASTM D2240)		65 R (Rockwell "R" Scale)
Thermal Properties				
Temperature Range (Brief Exposure)	-22° F to + 215° F (-30° C to + 102° C)	-40° F to + 302° F (-40° C to + 150° C)	-65° F to + 750° F*1 (-54° C to + 399° C)	
Temperature Range (Continuous Exposure)	-22° F to + 194° F (-30° C to + 90° C)	-40° F to + 275° F (-40° C to + 135° C)	-65° F to + 500° F*1 (-54° C to + 260° C)	-58° F to + 175° F (-50° C to + 79° C)
Electrical Properties				
Dielectric Strength	475 V/mil (ASTM D149)	920 V/mil (ASTM D149)		510 V/mil (ASTM D149)
Dielectric Constant	2.26 - 2.36 (ASTM D150)	2.300 (ASTM D150)		2.35 (ASTM D150)
Volume Resistivity	> 2 x 10 <sup>16</sup> ohm-cm (ASTM D257)	>1 x 10 <sup>14</sup> ohm-cm (ASTM D257)	4.4 x 10 <sup>6</sup> ohm-cm (ASTM D257)	>6 x 10 <sup>15</sup> ohm-cm (ASTM D257)
Standards and Specifications				
	FDA Regulation Title 21 CFR 177.1520	UL Listed File# QMFZ2.E80017		FDA Regulation Title 21 CFR 177.1520
	Meets Multiple Automotive Industry Specifications	Meets Multiple Automotive Industry Specifications		ASTM D 1248-84 Type III, Class A
	EU Directive 2002/95/EC (RoHS) Compliant	EU Directive 2002/95/EC (RoHS) Compliant		Federal Specification LP-390 Type III, Class H, Grade I
Special Notes				
<b>Notes:</b>	*1: Tensile and fatigue strength rise as temperature decreases. The tensile elongation decreases as the temperature decreases.			
<p>The information contained in this document is provided as an aid in properly selecting products and/or options. It is intended to be used by technically experienced users for general reference only. The supplier assumes no responsibility or liability for the accuracy or completeness of this document, as well as results obtained by the use of this information. Due to the variety of possible operating conditions, it is highly recommended that the user make their own tests to determine the safety and suitability of all products and combinations thereof. The user is solely responsible for final determination of such conditions.</p>				

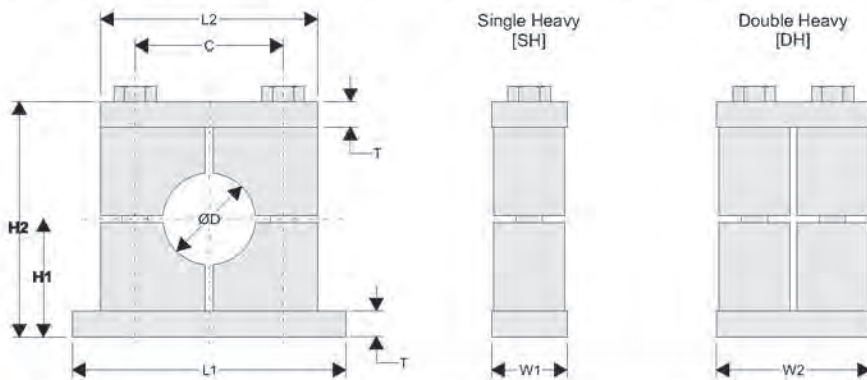
## Twin Series Complete Assembly Dimensions



### Clamp Assembly Dimensions

Behringer Group	D1/D2	L	C	H1	H2	T	W	O
T1	See Ordering code on page 18 for available dimensions	1.625 (41.3)	0.787 (20)	0.563 (14.3)	1.235 (31.4)	0.188 (5)	1.20 (30.5)	0.063 (1.6)
T2		2.188 (56)	1.142 (29)	0.688 (17.5)	1.454 (37)	0.188 (5)	1.20 (30.5)	0.063 (1.6)
T3		2.688 (68.3)	1.417 (36)	0.938 (23.8)	1.954 (49.6)	0.188 (5)	1.20 (30.5)	0.063 (1.6)
T4		3.445 (87.5)	1.772 (45)	1.063 (27)	2.204 (56)	0.188 (5)	1.20 (30.5)	0.063 (1.6)
T5		4.315 (110)	2.205 (56)	1.313 (33.3)	2.704 (68.7)	0.188 (5)	1.20 (30.5)	0.063 (1.6)

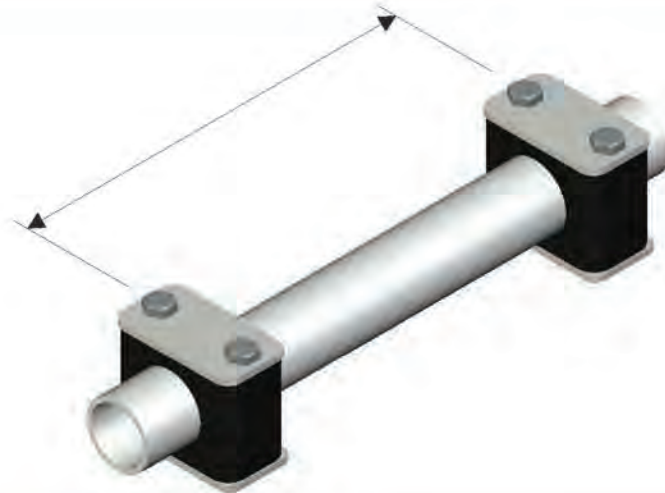
## Heavy-4 Series Complete Assembly Dimensions



### Clamp Assembly Dimensions

Behringer Group	OD	L1	L2	C	H1	H2	T	W1	W2
H11	See ordering code on page 25 for available diameters.	20.000 (508)	18.250 (464)	15.688 (398)	9.000 (229)	18.000 (457)	1.000 (25.4)	5.875 (149)	11.750 (298)
H12		25.000 (635)	23.500 (597)	20.875 (530)	11.000 (279)	22.000 (559)	1.000 (25.4)	5.875 (149)	11.750 (298)
H13		26.500 (673)	24.750 (629)	22.250 (565)	12.000 (305)	24.000 (610)	1.000 (25.4)	5.875 (149)	11.750 (298)
H14		30.000 (762)	28.750 (730)	26.250 (667)	12.000 (305)	24.000 (610)	1.000 (25.4)	5.875 (149)	11.750 (298)
H15		36.000 (914)	34.750 (883)	32.250 (819)	17.000 (432)	34.000 (864)	1.000 (25.4)	5.875 (149)	11.750 (298)

## Recommended Spacing



Recommended Spacing				
Pipe or Tube OD	Operating Pressure	Recommended Spacing	Operating Pressure	Recommended Spacing
0.250 in. to 0.675 in.	up to 3000 psi	5 - 7 Ft.	over 3000 psi	3 - 5 Ft.
0.750 in. to 1.050 in.	up to 3000 psi	6 - 8 Ft.	over 3000 psi	4 - 6 Ft.
1.125 in. to 1.500 in.	up to 3000 psi	7 - 9 Ft.	over 3000 psi	5 - 7 Ft.
1.750 in. to 2.500 in.	up to 3000 psi	8 - 10 Ft.	over 3000 psi	6 - 8 Ft.
2.750 in. to 3.500 in.	up to 3000 psi	9 - 11 Ft.	over 3000 psi	7 - 9 Ft.
4.000 in. to 4.500 in.	up to 3000 psi	10 - 12 Ft.	over 3000 psi	8 - 10 Ft.
5.563 in. to 6.625 in.	up to 3000 psi	11 - 13 Ft.	over 3000 psi	8 - 11 Ft.
6.625 in. to 8.625 in.	up to 3000 psi	12 - 14 Ft.	over 3000 psi	9 - 11 Ft.
10.750 in. to 12.750 in.	up to 3000 psi	13 - 15 Ft.	over 3000 psi	8 - 10 Ft.
13.750 in. to 19.750 in.	up to 3000 psi	14 - 16 Ft.	over 3000 psi	10 - 12 Ft.

www.behringersystems.com

## Recommended Mounting Practices

### Bends

Behringer recommends that all pipe bends be supported by clamps placed as close to the bend as possible. The clamps should be directly after the connection (coupler, threaded connector, flange, or other).



### Components

Behringer recommends that all system components be supported by clamps directly before and after the component in order to protect against vibrations and shock. The clamps should be located as close to the component as possible.



# **BEHRINGER®**

For more information on Behringer Pipe Supports for industrial applications, visit our website:

**[behringersystems.com](http://behringersystems.com)**

Or call us at +1 (973) 948-0226

Your local stocking distributor:

Behringer Corporation  
17 Ridge Road  
Branchville, NJ 07826  
Tel: +1 (973) 948-0226  
Fax: +1 (973) 948-2562  
email: [sales@behringersystems.com](mailto:sales@behringersystems.com)  
web: [behringersystems.com](http://behringersystems.com)